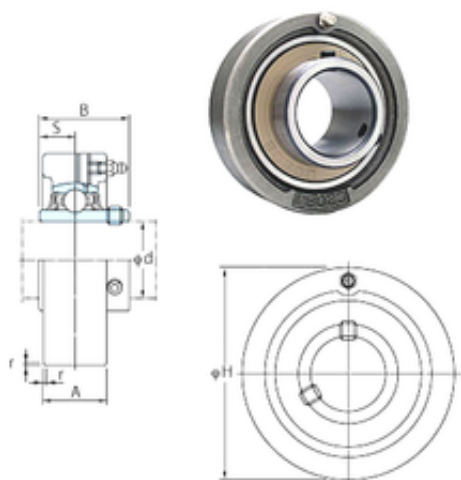




Bofa Import and Export Co., Ltd.

FYH UCC310 bearing units

Bearing No. UCC310



Bore Diameter	50 mm
Width	61 mm
d	50 mm
r	3 mm
A	40 mm
B	61 mm
H	140 mm
S	22 mm
Weight	3,2 Kg
Basic dynamic load rating (C)	62 kN
Basic static load rating (C0)	38,3 kN

UCC310 Bearing 2D drawings and 3D CAD models