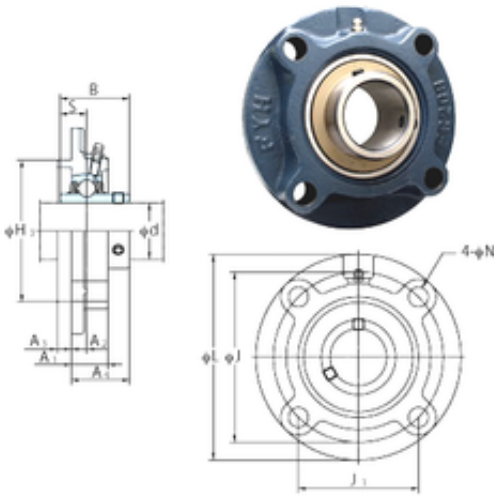




Bofa Import and Export Co., Ltd.

FYH UCFC205-14 bearing units

Bearing No. UCFC205-14



UCFC205-14 Bearing 2D drawings and 3D CAD models

Bore Diameter	22,225 mm
d	22,225 mm
H3	70 mm
A4	29,8 mm
A1	21 mm
B	34,1 mm
J	90 mm
L	115 mm
N	12 mm
S	14,3 mm
Bolt (G)	M10
A2	10 mm
A3	6 mm
J1	63,6 mm
Weight	0,95 Kg
Basic dynamic load rating (C)	14 kN
Basic static load rating (C0)	7,85 kN