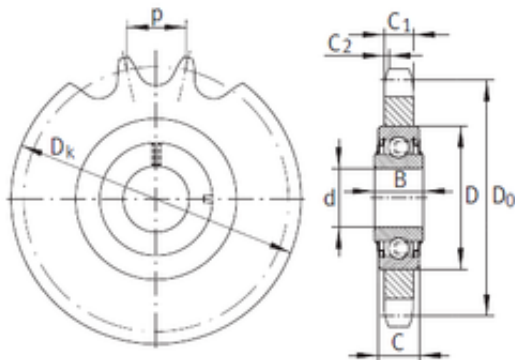




## Bofa Import and Export Co., Ltd.

### 16,2 mm x 40 mm x 18,3 mm INA KSR16-L0-06-10-20-08 bearing units



Bearing No. KSR16-L0-06-10-20-08

Size	16.2x40x18.3 mm
Bore Diameter	16,2 mm
Outer Diameter	40 mm
Width	18,3 mm
d	16,2 mm
D	40 mm
B	18,3 mm
Number of teeth	20
Do	60,9 mm
Dk	65 mm
C	12 mm
C1	5,2 mm
C2	0,8 mm
Weight	0,14 Kg
Category	Bearings
Inventory	0.0
Manufacturer Name	SCHAEFFLER GROUP
Minimum Buy Quantity	N/A
Weight / Kilogram	0.13
Product Group	B00234

KSR16-L0-06-10-20-08 Bearing 2D drawings and 3D CAD models