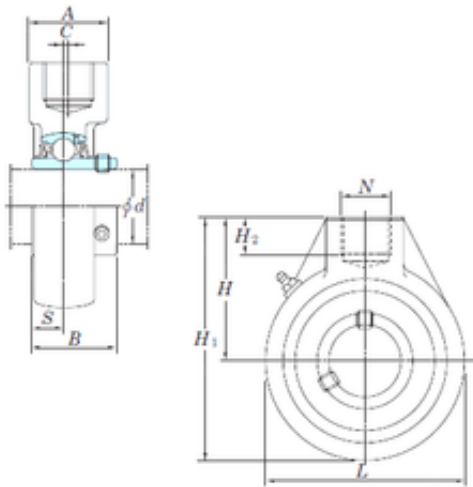




Bofa Import and Export Co., Ltd.

KOYO UCHA215 bearing units

Bearing No. UCHA215



UCHA215 Bearing 2D drawings and 3D CAD models

Bore Diameter	75 mm
Width	77,8 mm
d	75 mm
A	70 mm
B	77,8 mm
C	9,5 mm
H	117 mm
H1	200 mm
H2	32 mm
L	166 mm
S	33,3 mm
Bolt (G)	PF 1 1/2
Weight	5,6 Kg
Basic dynamic load rating (C)	67,4 kN
Basic static load rating (C0)	48,3 kN