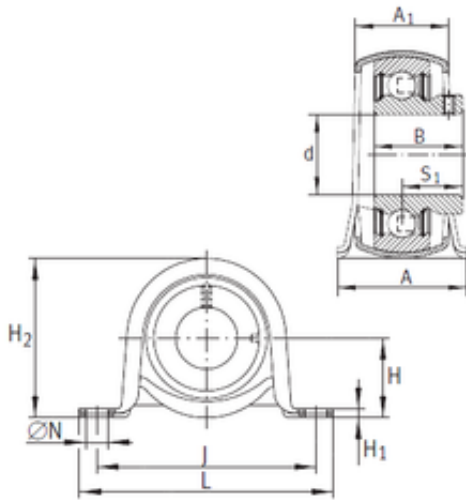




Bofa Import and Export Co., Ltd.



PBY15 Bearing 2D drawings and 3D CAD models

INA PBY15 bearing units

Bearing No. PBY15

Bore Diameter	15 mm
d	15 mm
S1	16 mm
A	25,4 mm
A1	18,4 mm
B	22 mm
H	22,2 mm
H1	2,6 mm
H2	43,2 mm
J	68 mm
L	85,7 mm
N	9,5 mm
Category	Pillow Block Bearings
Inventory	0.0
Manufacturer Name	SCHAEFFLER GROUP
Minimum Buy Quantity	N/A
Weight / Kilogram	0.15
Product Group	M06110
Number of Mounting Holes	2
Mounting Method	Set Screw
Housing Style	2 Bolt Pillow Block
Rolling Element	Ball Bearing
Housing Material	Stamped Steel
Expansion / Non-expansion	Non-expansion
Mounting Bolts	9.5 Millimeter
Relubricatable	No



Bofa Import and Export Co., Ltd.

Insert Part Number	AY15NPPB
Seals	Double Lip Contact
Housing Configuration	2 Piece Split
Inch - Metric	Metric
Other Features	Single Row Corrotect Coating With Grub Screw
Long Description	2 Bolt Pillow Block; 15MM Bore; 22.2MM Base to Center Height; Set Screw Mount; Ball Bearing; No Relubricatable; Stamped Steel; Double Lip Contact; Non-expansion
Category	Pillow Block
UNSPSC	31171511
Harmonized Tariff Code	8483.20.40.40
Noun	Bearing
Keyword String	Pillow Block
Manufacturer URL	http://www.ina.com
Manufacturer Item Number	PBY15
Weight / LBS	0.331
Nominal Bolt Center to Center	2.7 Inch 68 Millimeter
Base to Center Height	0.874 Inch 22.2 Millimeter
Length Thru Bore	0.866 Inch 22 Millimeter
Actual Bolt Center to Center	2.7 Inch 68Millimeter
Bolt Spacing Maximum	0 Inch 0Millimeter
Bore	0.591 Inch 15 Millimeter
Bolt Spacing Minimum	0 Inch 0Millimeter