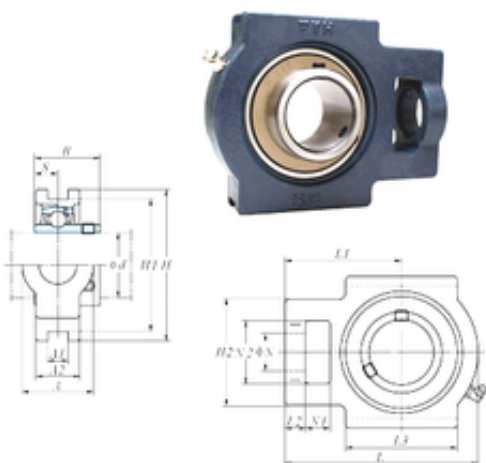




Bofa Import and Export Co., Ltd.

FYH UCT206-19E bearing units

Bearing No. UCT206-19E



UCT206-19E Bearing 2D drawings and 3D CAD models

| | |
|-------------------------------|------------|
| Bore Diameter | 30,1625 mm |
| d | 30,1625 mm |
| L2 | 10 mm |
| L3 | 57 mm |
| A | 37 mm |
| A1 | 13,5 mm |
| B | 38,1 mm |
| H | 102 mm |
| H1 | 88,9 mm |
| H2 | 56 mm |
| L | 113 mm |
| L1 | 70 mm |
| N | 22 mm |
| N1 | 16 mm |
| S | 15,9 mm |
| A2 | 28 mm |
| N2 | 37 mm |
| Weight | 1,3 Kg |
| Basic dynamic load rating (C) | 19,5 kN |
| Basic static load rating (C0) | 11,3 kN |