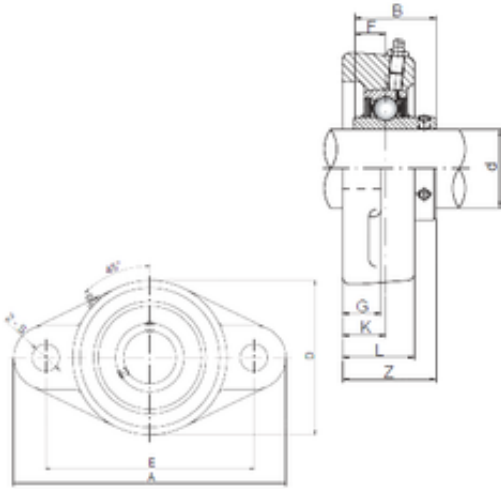




Bofa Import and Export Co., Ltd.

70 mm x 160 mm x 74,6 mm ISO UCFL214 bearing units

Bearing No. UCFL214



UCFL214 Bearing 2D drawings and 3D CAD models

Bore Diameter	70 mm
d	70 mm
B	74,6 mm
Z	75,4 mm
A	265 mm
D	160 mm
E	216 mm
F	30,2 mm
G	22 mm
K	31 mm
L	54 mm
S	23 mm
Bolt (G)	M20