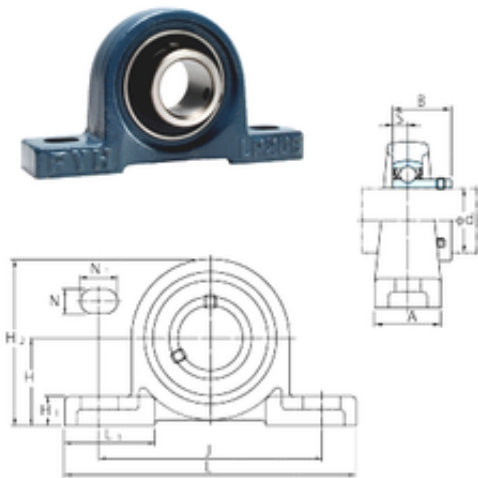




Bofa Import and Export Co., Ltd.

FYH BLP202-10 bearing units

Bearing No. BLP202-10



BLP202-10 Bearing 2D drawings and 3D CAD models

Bore Diameter	15,875 mm
Width	22 mm
d	15,875 mm
A	25 mm
B	22 mm
H	30,2 mm
H1	12 mm
H2	57 mm
J	87 mm
L	114 mm
L1	35 mm
N	11 mm
N1	16 mm
S	6 mm
Bolt (G)	M10
Weight	0,36 Kg
Basic dynamic load rating (C)	9,55 kN
Basic static load rating (C0)	4,8 kN