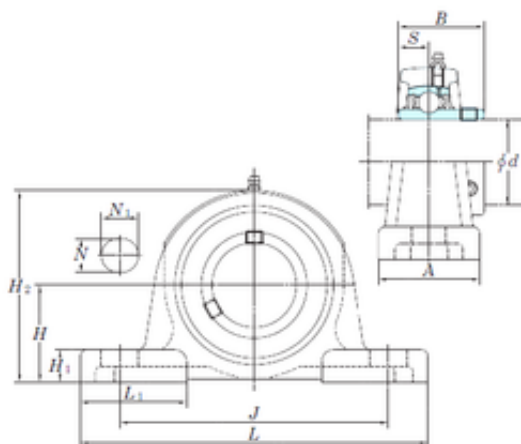




## Bofa Import and Export Co., Ltd.

### KOYO UCPX07 bearing units

Bearing No. UCPX07



UCPX07 Bearing 2D drawings and 3D CAD models

Bore Diameter	35 mm
Width	49,2 mm
d	35 mm
A	57 mm
B	49,2 mm
H	54 mm
H1	19 mm
H2	105 mm
J	144 mm
L	203 mm
L1	64 mm
N	17 mm
N1	30 mm
S	19 mm
Bolt (G)	M14
Weight	2,7 Kg
Basic dynamic load rating (C)	29,1 kN
Basic static load rating (C0)	17,8 kN
Bearing No.	UCPX07
Bolt size	M14
Cr	29.1
C0r	17.8
f0	14.0
(Refer.)Unit mass(kg)	2.7
Nipple size	1/4-28UNF