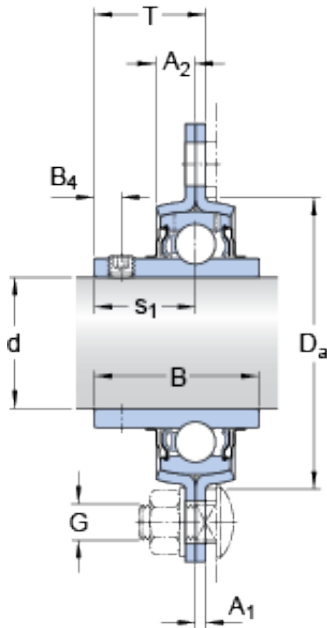




## Bofa Import and Export Co., Ltd.



PFD 1. TF Bearing 2D drawings and 3D CAD models

### SKF PFD 1. TF bearing units

Bearing No. PFD 1. TF

Size	25.4x2x9 mm
Bore Diameter	25,4 mm
Outer Diameter	2 mm
Width	9 mm
d	25.4 mm
A <sub>1</sub>	2 mm
A <sub>2</sub>	9 mm
B	34.1 mm
B <sub>4</sub>	5 mm
D <sub>a</sub> - min.	56 mm
J	76.2 mm
H	95 mm
H <sub>1</sub>	34 mm
H	8.7 mm
s <sub>1</sub>	19.8 mm
T	21.8 mm
Basic dynamic load rating - C	14 kN
Basic static load rating - C <sub>0</sub>	7.8 kN
Fatigue load limit - P <sub>u</sub>	0.335 kN
Permissible radial housing load	max. 3.6 kN
Weight	0.31 kg
Thread - G <sub>2</sub> - 1/4-28 UNF	1/428 UNF
Hexagonal key size for grub screw - H	3.175 mm



## Bofa Import and Export Co., Ltd.

Housing material	Pressed steel
A <sub>1</sub>	2 mm
A <sub>2</sub>	9 mm
B <sub>4</sub>	5 mm
D <sub>a</sub> min.	56 mm
H <sub>1</sub>	34 mm
N	8.7 mm
s <sub>1</sub>	19.8 mm
Basic dynamic load rating C	14 kN
Basic static load rating C <sub>0</sub>	7.8 kN
Fatigue load limit P <sub>u</sub>	0.335 kN
Permissible radial housing load max.	3.6 kN
Mass unit	0.31 kg
Thread grub screw G <sub>2</sub>	1/4-28 UNF
Hexagonal key size for grub screw N	3.175 mm
Recommended tightening torque for grub screw	4 N · m
Recommended diameter for attachment bolts, mm G	8 mm
Recommended diameter for attachment bolts, inch G	0.3125 in