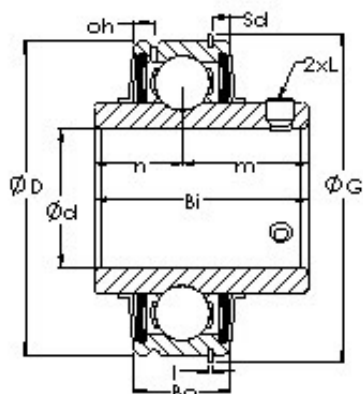




## Bofa Import and Export Co., Ltd.



### AST ER211 bearing units

Bearing No. ER211

Bore Diameter	55 mm
Outer Diameter	100 mm
Bearing Type	Metric Bore Diameter
Bore Dia (d)	55.0000
Outer Dia (D)	100.0000
Outer Width (Bo)	30.0000
Inner Width (Bi)	55.6000
Dynamic Load Rating (Cr)	43,332
Static Load Rating (Cor)	29,410
Bearing Inner Race Width - Short Side (n)	22.2000
Bearing Inner Race Width - Extended Side (m)	33.4000
Bearing Collar Set Screw (L)	M10 X1.25
Snap Ring Dia. (G)	106.3000
Snap Ring Location (Sd)	3.2000
Snap Ring Thickness (l)	2.4000
Relubrication Hole Location (oh)	7.5000
Shaft Dia., Nominal (d)	55.0000
Weight (g)	1,410.67

ER211 Bearing 2D drawings and 3D CAD models