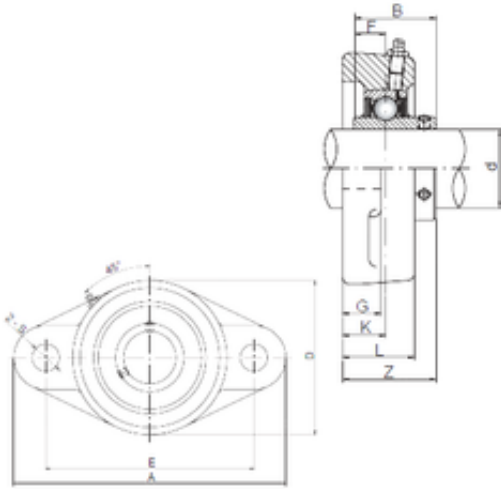




Bofa Import and Export Co., Ltd.

75 mm x 195 mm x 82 mm ISO UCFL315 bearing units

Bearing No. UCFL315



Bore Diameter	75 mm
d	75 mm
B	82 mm
Z	89 mm
A	320 mm
D	195 mm
E	260 mm
F	32 mm
G	30 mm
K	39 mm
L	66 mm
S	35 mm
Bolt (G)	M30

UCFL315 Bearing 2D drawings and 3D CAD models