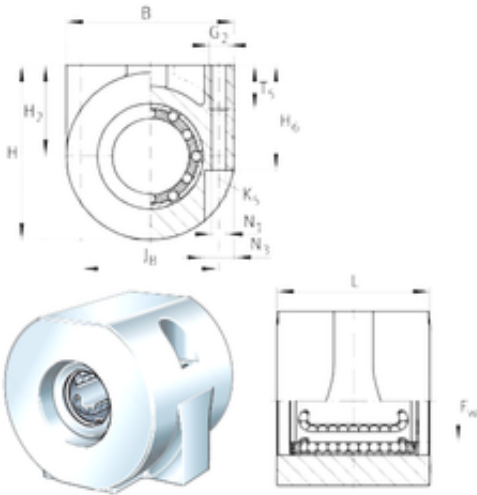




Bofa Import and Export Co., Ltd.

INA KGHA20-PP bearing units



Bearing No. KGHA20-PP

Bore Diameter	20 mm
Width	47 mm
Fw	20 mm
H6	29 mm
B	47 mm
H	48,5 mm
H2	25 mm
L	39 mm
N1	5,1 mm
Thread (G)	M6
N2	8,1 mm
JB	38 mm
T5	15 mm
Thread (K5)	M4
Weight	0,303 Kg
Basic dynamic load rating (C)	1,11 kN

KGHA20-PP Bearing 2D drawings and 3D CAD models