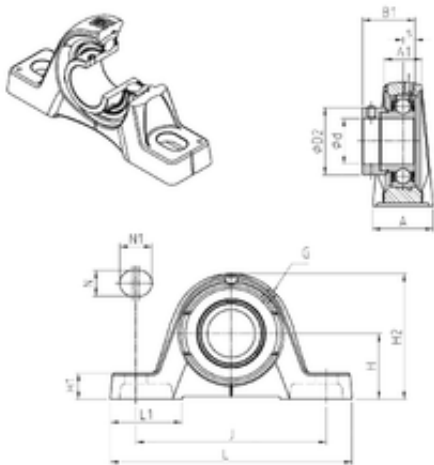




Bofa Import and Export Co., Ltd.

SNR ESPE212 bearing units

Bearing No. ESPE212



ESPE212 Bearing 2D drawings and 3D CAD models

Bore Diameter	60 mm
d	60 mm
s	12 mm
A	60 mm
A1	42 mm
B1	49,3 mm
D2	84,2 mm
H	69,9 mm
H1	25 mm
H2	140 mm
J	190 mm
L	240 mm
L1	71 mm
N	18 mm
N1	28 mm
Thread (G)	R1/8"
Weight	4,5 Kg
Basic dynamic load rating (C)	52,5 kN