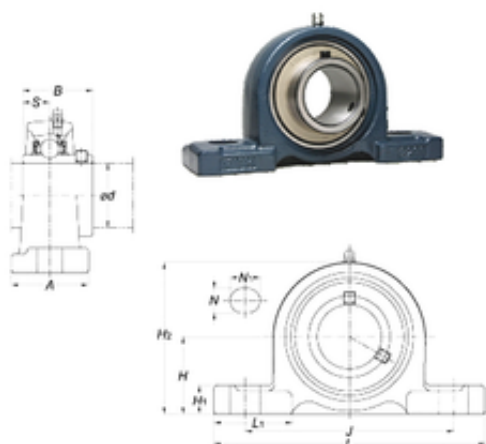




Bofa Import and Export Co., Ltd.

FYH UCP309-28 bearing units



Bearing No. UCP309-28

Bore Diameter	44,45 mm
Width	57 mm
d	44,45 mm
A	67 mm
B	57 mm
H	67 mm
H1	21 mm
H2	132 mm
J	190 mm
L	245 mm
L1	75 mm
N	20 mm
N1	30 mm
S	22 mm
Bolt (G)	M16
Weight	4,9 Kg
Basic dynamic load rating (C)	48,9 kN
Basic static load rating (C0)	29,5 kN

UCP309-28 Bearing 2D drawings and 3D CAD models