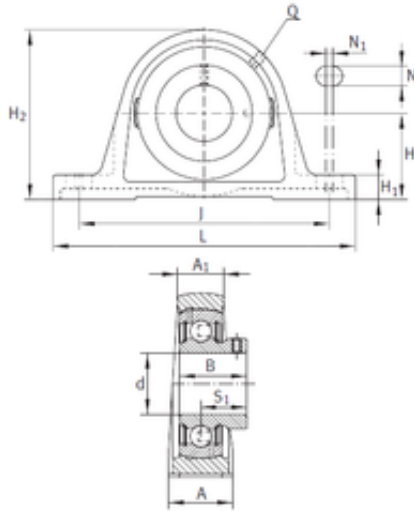




Bofa Import and Export Co., Ltd.



INA PASEY1/2 bearing units

Bearing No. PASEY1/2

| | |
|---------------------------|-----------------------|
| Bore Diameter | 12,7 mm |
| d | 12,7 mm |
| S1 | 16,002 mm |
| Thread (Q) - 1/4-28 UNF | 1/428 UNF |
| A | 32,004 mm |
| A1 | 19 mm |
| B | 21,997 mm |
| H | 30,201 mm |
| H1 | 13,996 mm |
| H2 | 58 mm |
| J | 91,999 mm |
| L | 125 mm |
| N | 10,999 mm |
| N1 | 10,999 mm |
| Category | Pillow Block Bearings |
| Inventory | 0.0 |
| Manufacturer Name | SCHAEFFLER GROUP |
| Minimum Buy Quantity | N/A |
| Weight / Kilogram | 0.407 |
| Product Group | M06110 |
| Number of Mounting Holes | 2 |
| Mounting Method | Set Screw |
| Housing Style | 2 Bolt Pillow Block |
| Rolling Element | Ball Bearing |
| Housing Material | Cast Iron |
| Expansion / Non-expansion | Non-expansion |
| | |

PASEY1/2 Bearing 2D drawings and 3D CAD models



Bofa Import and Export Co., Ltd.

| | |
|-------------------------------|---|
| Relubricatable | Yes |
| Insert Part Number | GAY008NPPB |
| Seals | Double Lip Contact |
| Housing Configuration | 1 Piece Solid |
| Inch - Metric | Inch |
| Other Features | Single Row Spherical Standard Shaft Height With Grub Screw |
| Long Description | 2 Bolt Pillow Block; 1/2" Bore; 1-3/16" Base to Center Height; Set Screw Mount; Ball Bearing; 3-3/16" Minimum Bolt Spacing; 4.055" Bolt Spacing Maximum; Relubricatable; Cast Iron; |
| Category | Pillow Block |
| UNSPSC | 31171511 |
| Harmonized Tariff Code | 8483.20.40.40 |
| Noun | Bearing |
| Keyword String | Pillow Block |
| Manufacturer URL | http://www.ina.com |
| Manufacturer Item Number | PASEY1/2 |
| Weight / LBS | 1.213 |
| Bolt Spacing Minimum | 3.189 Inch 81Millimeter |
| Actual Bolt Center to Center | 0 Inch 0Millimeter |
| Nominal Bolt Center to Center | 3.6 Inch 92 Millimeter |
| Base to Center Height | 1.188 Inch 30.175 Millimeter |
| Bore | 0.5 Inch 12.7 Millimeter |
| Bolt Spacing Maximum | 4.055 Inch 103Millimeter |
| Length Thru Bore | 0.866 Inch 22 Millimeter |