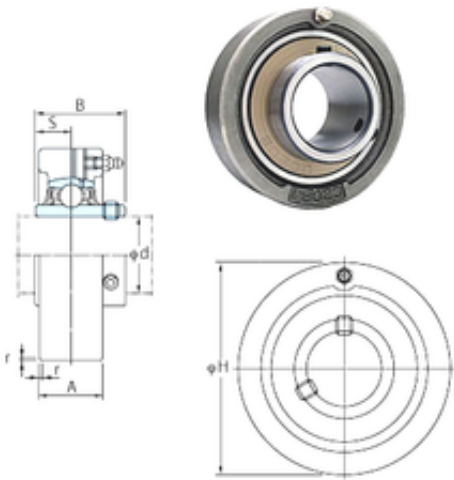




Bofa Import and Export Co., Ltd.

FYH UCC320-63 bearing units

Bearing No. UCC320-63



Bore Diameter	100,0125 mm
Width	108 mm
d	100,0125 mm
r	4 mm
A	75 mm
B	108 mm
H	260 mm
S	42 mm
Weight	19,6 Kg
Basic dynamic load rating (C)	173 kN
Basic static load rating (C0)	141 kN

UCC320-63 Bearing 2D drawings and 3D CAD models