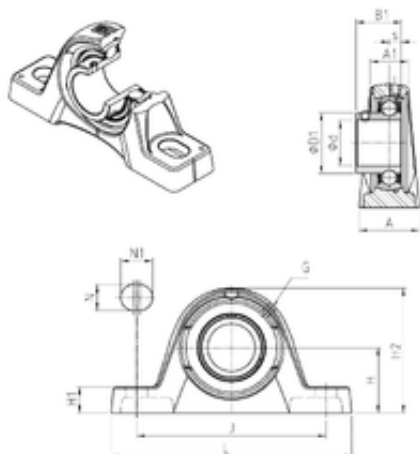




Bofa Import and Export Co., Ltd.



SNR USPLE203 bearing units

Bearing No. USPLE203

Bore Diameter	17 mm
d	17 mm
s	6 mm
A	30 mm
A1	20,5 mm
B1	22 mm
D1	24,6 mm
H	27 mm
H1	11 mm
H2	54 mm
J	88,5 mm
L	119 mm
N	11 mm
N1	14 mm
Thread (G)	M6x1
Weight	0,4 Kg
Basic dynamic load rating (C)	9,55 kN

USPLE203 Bearing 2D drawings and 3D CAD models