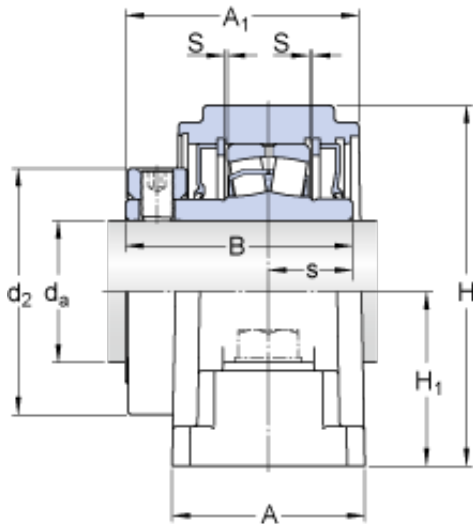




Bofa Import and Export Co., Ltd.



SYE 27/16 Bearing 2D drawings and 3D CAD models

SKF SYE 27/16 bearing units

Bearing No. SYE 27/16

Size	61.912x101.6x73.025 mm
Bore Diameter	61,912 mm
Outer Diameter	101,6 mm
Width	73,025 mm
d_a	61.912 mm
d_2	101.6 mm
A	73.025 mm
A_1	91.281 mm
B	85.725 mm
H	144.462 mm
H_1	69.85 mm
H_2	41.275 mm
L	266.7 mm
J - max.	222.25 mm
J - min.	209.55 mm
s	31.75 mm
S	0.794 mm
Basic dynamic load rating - C	148 kN
Limiting speed	3100 r/min
d_a	61.913 mm
d_2	101.6 mm
A_1	91.281 mm
H_1	69.85 mm
H_2	41.275 mm
J max.	222.25 mm



Bofa Import and Export Co., Ltd.

J min.	209.55 mm
Basic dynamic load rating C	148 kN
Mass bearing unit	8.39 kg
Attachment bolt diameter G	15.875 mm