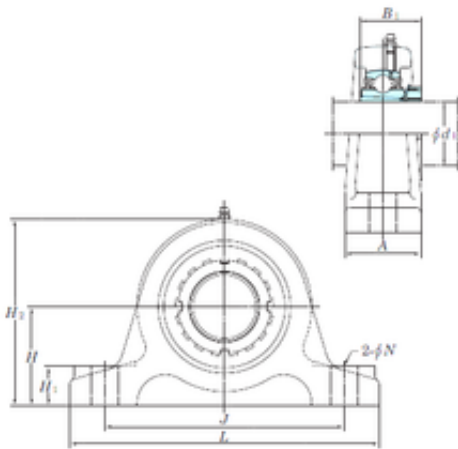




# Bofa Import and Export Co., Ltd.

## KOYO UKIP317 bearing units

Bearing No. UKIP317



UKIP317 Bearing 2D drawings and 3D CAD models

Bore Diameter	76,2 mm
Width	130 mm
d	76,2 mm
A	85 mm
B1	82 mm
H	130 mm
H1	40 mm
H2	255 mm
J	310 mm
L	370 mm
N	25 mm
Bolt (G)	M22
Weight	25,7 Kg
Basic dynamic load rating (C)	133 kN
Basic static load rating (C0)	96,8 kN