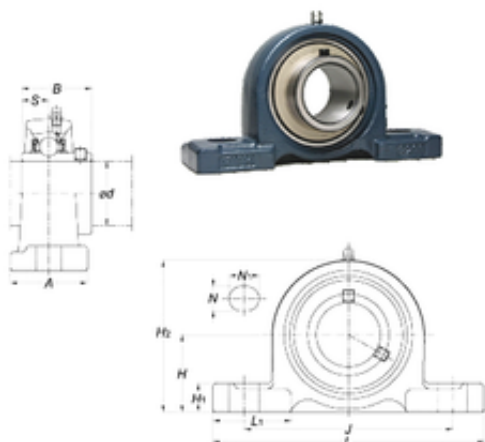




Bofa Import and Export Co., Ltd.

FYH UCP209-28 bearing units



Bearing No. UCP209-28

Bore Diameter	44,45 mm
Width	49,2 mm
d	44,45 mm
A	54 mm
B	49,2 mm
H	54 mm
H1	17 mm
H2	106 mm
J	146 mm
L	190 mm
L1	60 mm
N	17 mm
N1	21 mm
S	19 mm
Bolt (G)	M14
Weight	2,2 Kg
Basic dynamic load rating (C)	34,1 kN
Basic static load rating (C0)	21,3 kN

UCP209-28 Bearing 2D drawings and 3D CAD models