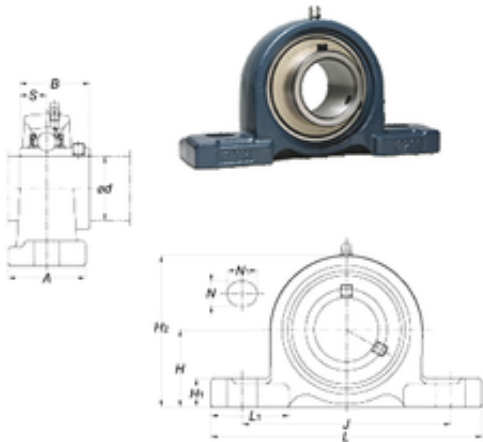




Bofa Import and Export Co., Ltd.

FYH UCPX17-55 bearing units



Bearing No. UCPX17-55

Bore Diameter	87,3125 mm
Width	96 mm
d	87,3125 mm
A	102 mm
B	96 mm
H	101,6 mm
H1	34 mm
H2	200 mm
J	283 mm
L	381 mm
L1	116 mm
N	27 mm
N1	60 mm
S	39,7 mm
Bolt (G)	M22
Weight	16,1 Kg
Basic dynamic load rating (C)	96,1 kN
Basic static load rating (C0)	71,5 kN

UCPX17-55 Bearing 2D drawings and 3D CAD models